

Low-Noise 4.5A Step-Up Current Mode PWM Converter

General Description

The PN2265 is a current mode boost DC-DC converter. It is PWM circuitry with built-in 0.05Ω power MOSFET make this regulator highly power efficient. The internal compensation network also minimizes as much as 6 external component counts. The non-inverting input of error amplifier connects to a 0.6V precision reference voltage and internal soft-start function can reduce the inrush current. The PN2265 is available in the SOP8-PP package and provides space-saving PCB for the application fields.

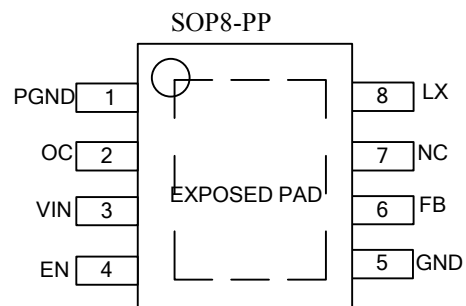
Applications

- Chargers
- LCD Displays
- Digital Cameras
- Handheld Devices
- Portable Products

Features

- Adjustable Output up to 9V
- Internal Fixed PWM frequency: 1MHz
- Precision Feedback Reference Voltage: 0.6V (±2%)
- Internal 0.05Ω, 4.5A, 12V Power MOSFET
- Shutdown Current: 0.1μA
- Over Temperature Protection
- Over Voltage Protection
- Adjustable Over Current Protection: 0.5A ~ 4.5A
- Package: SOP8-PP

Package



Typical Application Circuit

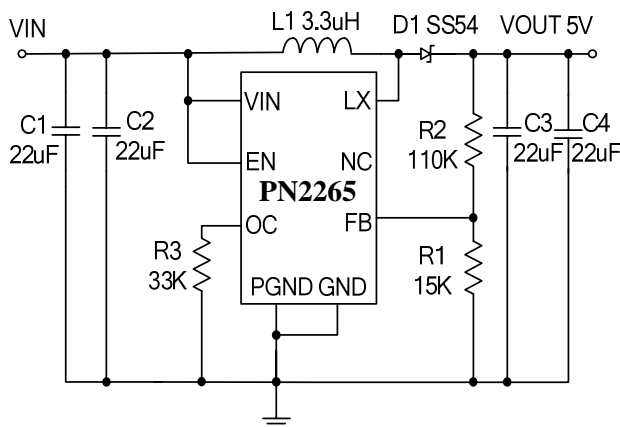


Figure 1. Basic Application Circuit with PN2265

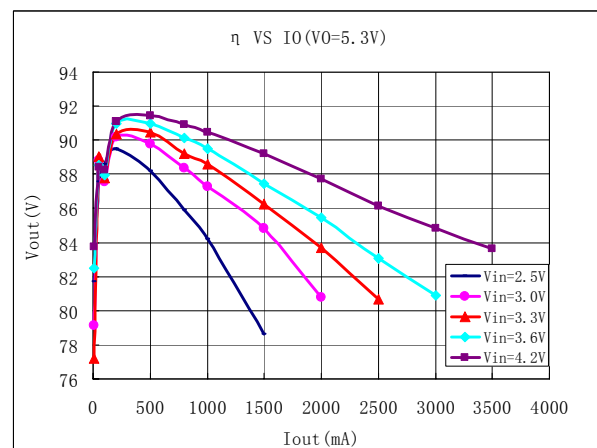


Figure 2. Typical Efficiency Curve