

## Small Package, High Performance Asynchronies Boost for 10 WLED Driver

### General Description

The PN2118 is a step-up DC/DC converter specifically designed for driving white LEDs with a constant current. The internal MOSFET can support up to 10 White LEDs for backlighting and OLED power application, and the internal soft start function can reduce the inrush current. The PN2118 uses current mode, fixed frequency of approximately 1.0MHz architecture to regulate the LED current through an external current sense resistor. The low feedback voltage of 300mV can minimize power dissipation.

Other features include current limit protection, thermal shutdown protection, under-voltage lockout (UVLO), and over-voltage function.

The PN2118 is available in space saving SOT-23-6L and DFN-8L (2mm x 2mm) packages.

### Applications

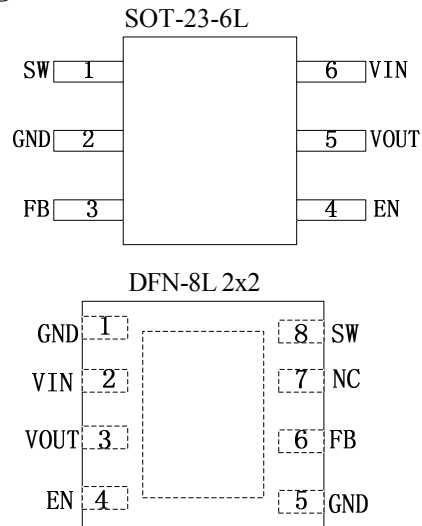
- Cellular Phones and Digital Cameras
- PDAs and Smart Phones and MP3 and OLED
- Portable Instruments
- High-light LED Flash

### Features

- VIN Operating Range : 2.5V to 5.5V
- Internal Power N-MOSFET Switch
- Wide Range for PWM Dimming (100Hz to 200kHz)
- 1.0MHz Switch Frequency

- 300mV Feedback Voltage
- 1.2A SW Current Limit
- Minimize the External Component Counts
- Internal Compensation
- Over Voltage Protection

### Package



### Typical Application Circuit

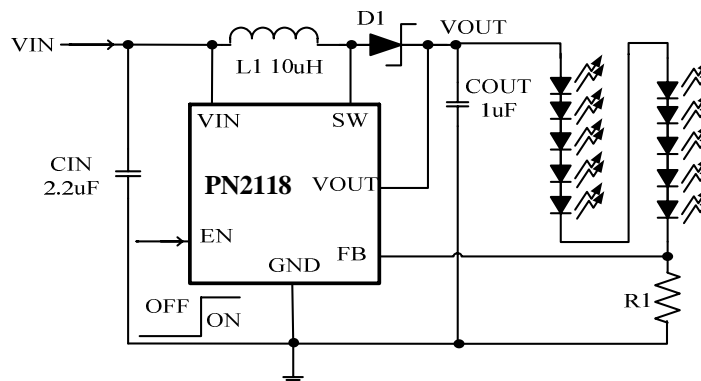


Figure 1. Basic Application Circuit with PN2118