

PWM Control Step-up DC/DC Converter

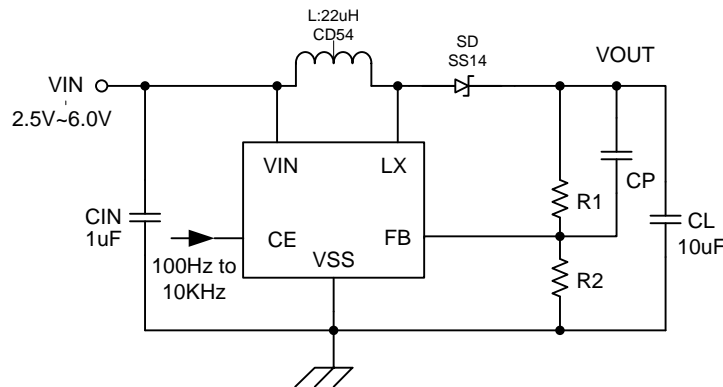
General Description

The PN2119 Series is a fixed frequency, constant current step-up DC/DC converter ideal for driving OLED. Output voltage of up to 22V can be derived, and from a li-ion battery supply, the output voltage can be 12V drive OLED. A 2 ohm resistance of NMOS is integrated in the circuit, withstand voltage can support 22V, with a small SOT-23-5 package saves PCB space and BOM cost.

Applications

- Mobil phones, PHS
- PDAs
- Digital still cameras

Typical Application Circuit



$$\frac{V_{OUT}}{V_{FB}} = \frac{R1+R2}{R2}$$

Note: R1 and R2 can be adjusted by the voltage of VOUT and FB Pin; (when vout is equal to 12V, recommended resistor R1 = 875K, R2 = 100K, CP=100pF)

Ordering Information

PN2119 ①②③

Item	Symbol	Function
①	B	Denotes Oscillation Frequency:1.0MHZ
②	M	Denotes Package Type : SOT-23-5L
③	R	Embossed Tape :Standard Feed
	L	Embossed Tape :Reverse Feed